

DW100

Wheel Dumpers



**WACKER
NEUSON**
all it takes!



Guarantees high material turnover

With a 10,000 kg payload per skip, the DW100 wheel dumper can move massive volumes in the shortest possible time — even on the most uneven ground conditions. In addition, it is dependable, easy to operate and offers first-class visibility despite its size. The professional unit for heavy loads has impressively high levels of comfort, offering an optionally available cabin or an air-conditioning system on request. Everything available in a heavyweight you can rely on.

- Hydrostatic all-wheel drive with the ECO mode
- Very good off-road capability
- First-class gradeability
- Available in a version with cabin
- Wear-free spring-loaded parking brake

DW100 Technical specifications

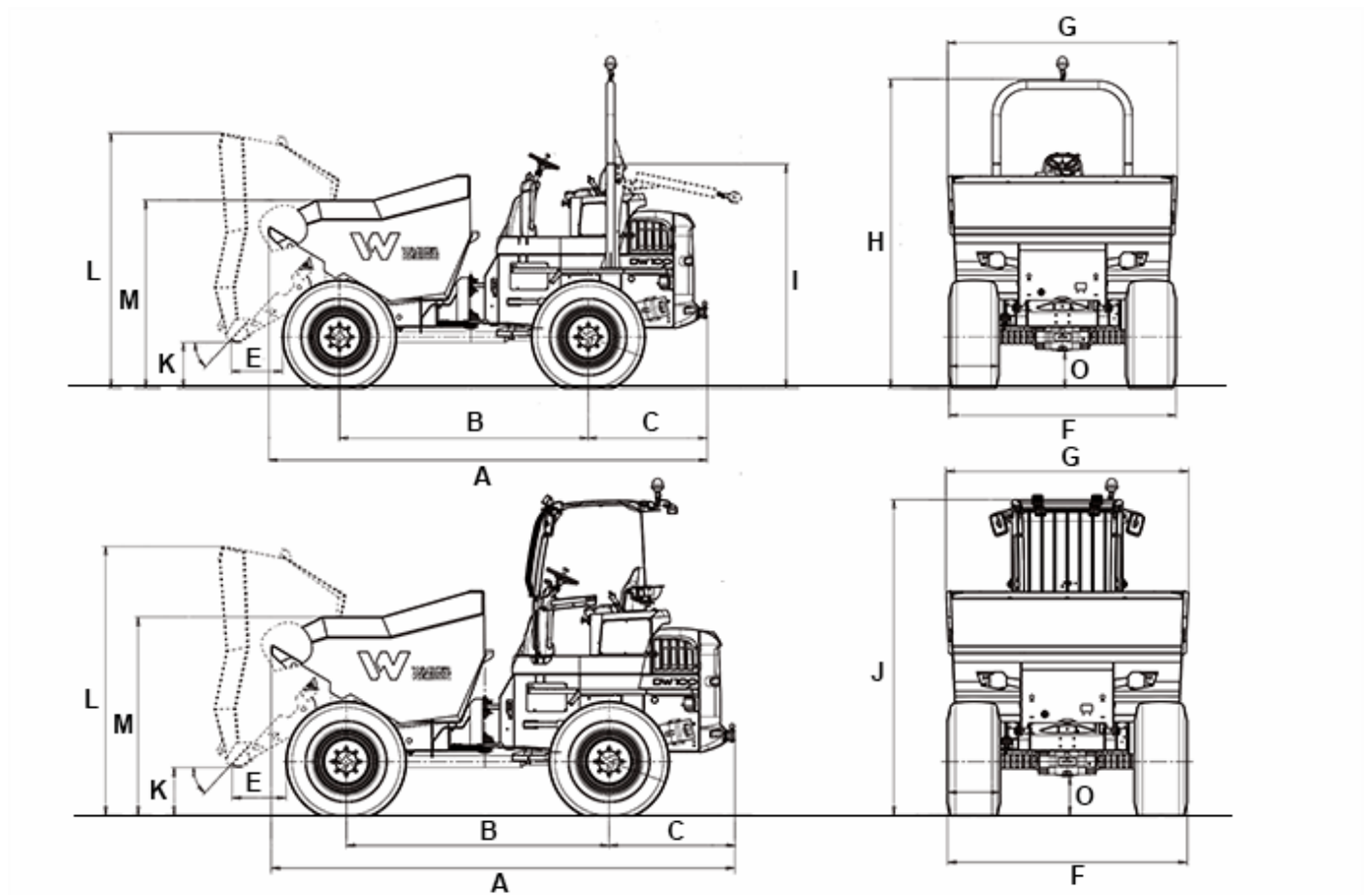
Operating data

Payload	10,000 kg
Shipping weight ROPS	5,277 kg
Shipping weight cabin	5,477 kg
Operating weight ROPS	5,359 kg
Operating weight cabin	5,559 kg
Skip capacity struck	4,100 l
Skip capacity heaped	4,750 l
Skip capacity water volume	2,400 l

Engine / Motor

Engine / Motor manufacturer	Perkins
Engine / Motor type	854F
Engine / Motor	4-cylinder turbo-diesel
Engine performance according to ISO 3046/1	55 kW
Displacement	3,387 cm ³
Engine RPM	2500 rpm
Emissions	Level 3b / Tier 4 final
Traction drive	4WD, hydrostatic
Travel speed	25 km/h
Articulation angle	28.3 °
Pendulum angle	11 °
Turning radius	6,803 mm
Tires	500/60-22.5
L x W x H	4762 x 2463 x 3353 mm
Steering pump	Axial piston pump
Flow rate	152 l/min
Operating pressure	450 bar
Duty pump	Gear pump
Flow rate	68 l/min
Operating pressure	450 bar
Tank capacity	83 l
Sound level (LwA)	103 dB(A)

DW100 Dimensions



A	Overall length	4,762 mm
B	Wheelbase	2,700 mm
C	Rear overhang	1,292 mm
E	Dumping distance	556 mm
F	Width	2,463 mm
G	Skip width	2,491 mm
H	Height total (ROPS)	3,353 mm
I	Height tilted ROPS	2,431 mm
J	Height cabin	3,243 mm
K	Dump height max.	495 mm
L	Skip height tilted	2,765 mm
M	Skip height not tilted	2,040 mm
O	Ground clearance	406 mm
--	Dump angle	47 °

Please note: that product availability can vary from country to country. It is possible that information / products may not be available in your country. More detailed information on engine power can be found in the operator's manual; the stated power may vary due to specific operating conditions. Subject to alterations and errors excepted. Applicable also to illustrations. Copyright © 2019 Wacker Neuson SE.