

ARX 45

LIGHT TANDEM VIBRATORY ROLLER
Tier 4i



THE HEAVIEST COMPACT ROLLER

With a weight of 4650 kg, the Ammann ARX 45 Tandem Roller is the heaviest compact roller in the product line. Double drive and double vibration are standard and help deliver optimum compaction outputs of 55 kN. The ARX 45 still delivers the benefits of a compact roller and is able to work flush against curbs and other objects. An electronic drive lever makes for smooth starting and stopping and is among the reasons the roller is popular with operators. The tandem roller is built with high quality, long-lasting components that reduce the cost of ownership over the lifetime of the machine. It is reliable, economical, safe and fuel efficient.

COMPACTION PERFORMANCE

- Double drive
- Single or double vibration
- Optimal drum diameter
- Balanced weight front and rear
- 2 frequencies with 2 centrifugal forces

EASY OPERATION

- Electronic drive lever for smooth starts and stops
- Rubber-mounted platform that limits vibration
- Intuitive, ergonomic instrument panel
- Tight turning radius

EXCELLENT VISIBILITY

- Unobstructed view to drums
- Sliding operator's seat

TRANSPORTABILITY

- Compact design for easy loading
- Light weight
- Foldable ROPS

REDUCED MATERIAL PICKUP

- Multiple water nozzles
- 2 scrapers per drum

APPLICATIONS

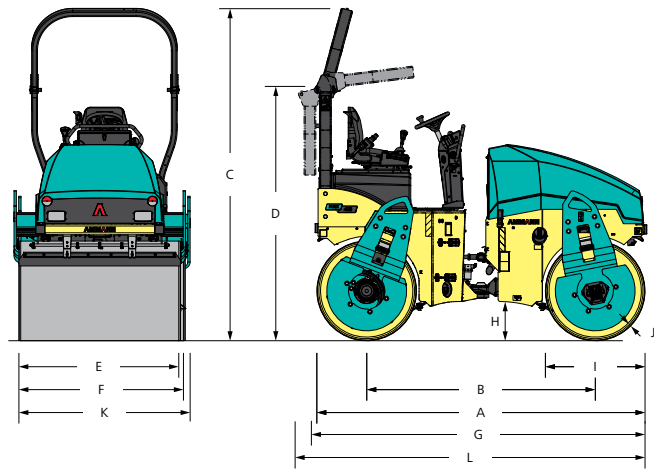
- Small and medium construction sites
- City roads
- Boardwalks
- Repair works in city centre

AMMANN

TECHNICAL SPECIFICATIONS
ARX 45 LIGHT TANDEM VIBRATORY ROLLER

DIMENSIONS

A	MACHINE LENGTH	2800 mm (110.2 in)
B	WHEELBASE	1950 mm (76.8 in)
C	MACHINE HEIGHT	2826 mm (111.3 in)
D	MACHINE HEIGHT (FOLDED ROPS)	2155 mm (84.8 in)
E	DRUM WIDTH	1380 mm (54.3 in)
E	TIRE-AXLE WIDTH	-
F	MACHINE WIDTH	1421 mm (55.9 in)
G	MACHINE LENGTH	2837 mm (111.7 in)
H	GROUND CLEARANCE	325 mm (12.8 in)
I	DRUM DIAMETER	850 mm (33.5 in)
J	DRUM SHELL THICKNESS	17 mm (0.7 in)
K	MACHINE WIDTH (TOTAL)	1503 mm (59.2 in)
L	MACHINE LENGTH (FOLDED ROPS)	2971 mm (117 in)



COMPACTION FORCES

AMPLITUDE	0.36/0.55 mm (0.01/0.02 in)
FREQUENCY AT 2100 / 2400 RPM	45/57 Hz (2700/3420 VPM)
CENTRIFUGAL FORCE – MAX.	55 kN

MISCELLANEOUS

BATTERY / CAPACITY	12/77 V/Ah
WATER TANK	350 l (92.5 gal)
HYDRAULIC TANK	37 l (9.8 gal)
DIESEL FUEL TANK	59 l (15.6 gal)
WHEEL LOAD	-
NUMBER OF WHEELS	-
TIRE SIZE	-

ENGINE

ENGINE TYPE	YANMAR 4TNV88
EMMISSION CLASS	EU Stage IIIA / EPA Tier 4i
POWER OUTPUT ISO 3046	30.0 kW / 40.8 HP
CYLINDER / LTR.	4 cyl / 2189 No./ccm
1. / 2. WORKING SPEED	2400 rpm
TRAVEL SPEED KM/H	10 km/h (6.2 MPH)
GRADEABILITY WITH / WITHOUT VIBR.	30 % / 40 %

WEIGHT AND OPERATING CHARACTERISTICS

OPERATING WEIGHT CECE	4650 kg (10 251.5 lb)
OPERATING WEIGHT MAX.	5100 kg (11 243.6 lb)
STATIC LINEAR LOAD (FULL-FLUSH)	16.8 kg/cm (37 lb)
TURNING RADIUS INSIDE	2621 mm (103.2 in)
STEERING / OSCILLATING ANGLE	32/8 ±°
DRUM OFFSET	40 mm (1.57 in)



STANDARD

- Front and rear vibration and drive
- Control system with emergency stop
- Pressurised pulse interval sprinkler system
- Ammann Vibration Control
- Lateral sliding seat
- 2 working frequencies / 2 amplitudes
- Hydraulic test ports

OPTIONAL EQUIPMENT

- CE-Kit with folding ROPS and working lights
- Road lighting
- Canopy
- Asphalt thermometer
- Reverse alarm
- Battery disconnection switch
- Central lifting hook
- ATC – Ammann Traction Control
- Arm rests
- Second drive-lever, left
- Edge-cutter incl. multi-function lever
- Bio-degradable hydraulic oil
- ACE^{force}
- Customer colour
- FOPS canopy
- Additional working lights (ROPS mounted)
- Warning beacon
- Foldable scrapers
- Weather canopy